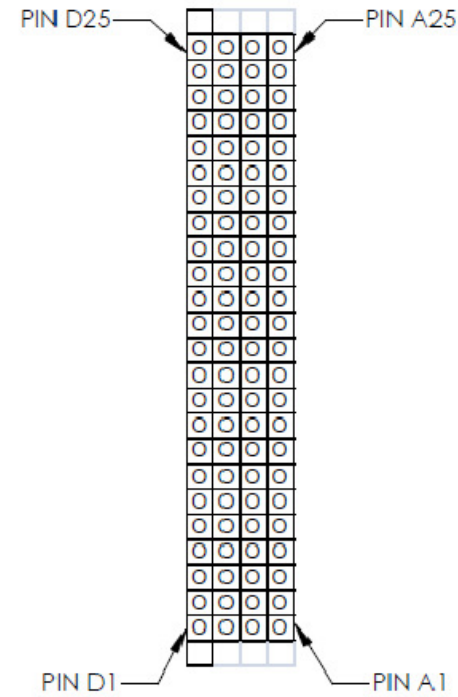


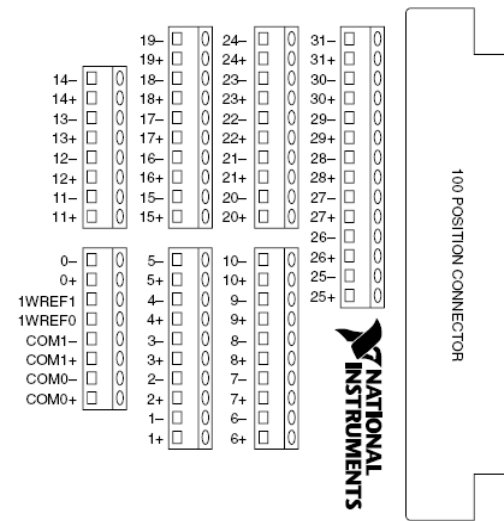
THE INFORMATION CONTAINED HEREIN IS THE EXCLUSIVE PROPERTY OF VIRGINIA PANEL CORPORATION AND IS SUBMITTED FOR USE BY THE CUSTOMER ONLY. THE DATA SHALL NOT BE DUPLICATED, USED, OR DISCLOSED IN WHOLE OR IN PART FOR ANY PURPOSE OTHER THAN TO MAINTAIN THE EQUIPMENT PROVIDED. CONSULT WITH VIRGINIA PANEL CORPORATION ENGINEERING IF MORE DETAIL IS REQUIRED.

REV	DESCRIPTION	DATE	ENGINEER
G	ECN #10951	12/01/2020	T LOCKRIDGE

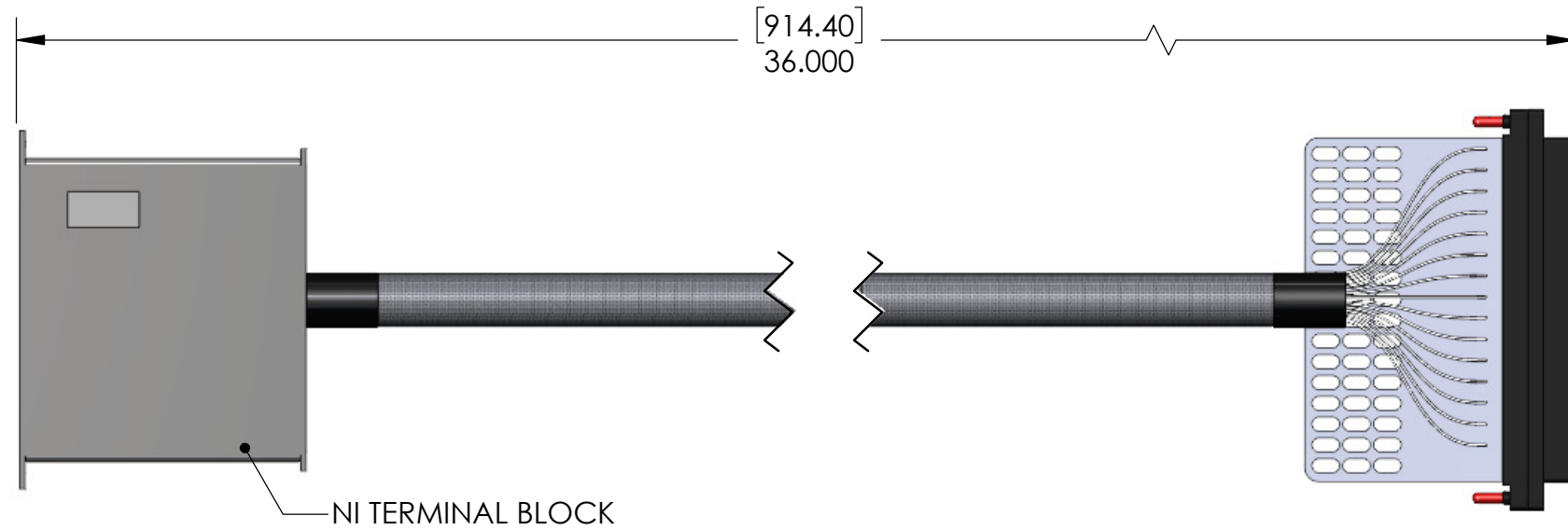
DO NOT SCALE DRAWING



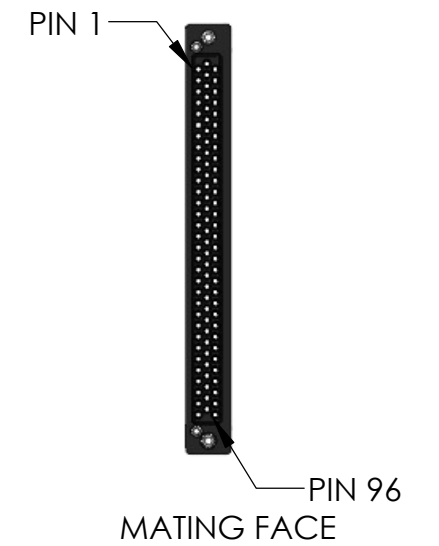
MATING FACE



NI TERMINAL BLOCK



NI TERMINAL BLOCK



MATING FACE

MATIN COMPONENT	VPC P/N	QTY. NEEDED
ITA MODULE	510108126	1
ITA PATCHCORDS	7-103424000-036	35

RELATIVE CONNECTOR POSITIONS AND WIRE ROUTING ARE GENERIC AND MAY VARY WITH PINOUT  
 DIMENSIONS ARE SHOWN AS:  
 [MILLIMETERS]  
 INCHES

**CUSTOMER DRAWING**

CBA, RCV, 36", TP to NI PXI-2527 USING TB-2627

DWG.NO. **541123199** REV **G**

SIZE B	SCALE NONE	CAGE CODE 18117	SHEET 1 OF 1
--------	------------	-----------------	--------------

Run #	VPC Module 510104136	NI TB-2627	Wire Color	T/P #	100 PIN HDI
1	PIN 1	31-	BLK	T/P	C17
2	PIN 2	31+	WHT		D17
3	PIN 3	30-	BLK	T/P	B17
4	PIN 4	30+	WHT		A17
5	PIN 5	29-	BLK	T/P	C16
6	PIN 6	29+	WHT		D16
7	PIN 7	28-	BLK	T/P	B16
8	PIN 8	28+	WHT		A16
9	PIN 9	27-	BLK	T/P	C15
10	PIN 10	27+	WHT		D15
11	PIN 11	26-	BLK	T/P	B15
12	PIN 12	26+	WHT		A15
13	PIN 13	25-	BLK	T/P	C14
14	PIN 14	25+	WHT		D14
15	PIN 15	24-	BLK	T/P	B14
16	PIN 16	24+	WHT		A14
17	PIN 17	23-	BLK	T/P	C13
18	PIN 18	23+	WHT		D13
19	PIN 19	22-	BLK	T/P	B13
20	PIN 20	22+	WHT		A13
21	PIN 21	21-	BLK	T/P	C12
22	PIN 22	21+	WHT		D12
23	PIN 23	20-	BLK	T/P	B12
24	PIN 24	20+	WHT		A12
25	PIN 25	10-	BLK	T/P	B6
26	PIN 26	10+	WHT		A6
27	PIN 27	9-	BLK	T/P	C5
28	PIN 28	9+	WHT		D5
29	PIN 29	8-	BLK	T/P	B5
30	PIN 30	8+	WHT		A5
31	PIN 31	7-	BLK	T/P	C4
32	PIN 32	7+	WHT		D4
33	PIN 33	6-	BLK	T/P	B4
34	PIN 34	6+	WHT		A4
35	PIN 35	19-	BLK	T/P	C11
36	PIN 36	19+	WHT		D11
37	PIN 37	18-	BLK	T/P	B11
38	PIN 38	18+	WHT		A11
39	PIN 39	17-	BLK	T/P	C10
40	PIN 40	17+	WHT		D10
41	PIN 41	16-	BLK	T/P	B10
42	PIN 42	16+	WHT		A10
43	PIN 43	15-	BLK	T/P	C8
44	PIN 44	15+	WHT		D8
45	PIN 45	5-	BLK	T/P	C3
46	PIN 46	5+	WHT		D3
47	PIN 47	4-	BLK	T/P	B3
48	PIN 48	4+	WHT		A3

Run #	VPC Module 510104136	NI TB-2627	Wire Color	T/P #	100 PIN HDI
49	PIN 49	3-	BLK	T/P	C2
50	PIN 50	3+	WHT		D2
51	PIN 51	2-	BLK	T/P	B2
52	PIN 52	2+	WHT		A2
53	PIN 53	1-	BLK	T/P	C1
54	PIN 54	1+	WHT		D1
55	PIN 55	14-	BLK	T/P	B8
56	PIN 56	14+	WHT		A8
57	PIN 57	13-	BLK	T/P	C7
58	PIN 58	13+	WHT		D7
59	PIN 59	12-	BLK	T/P	B7
60	PIN 60	12+	WHT		A7
61	PIN 61	11-	BLK	T/P	C6
62	PIN 62	11+	WHT		D6
63	PIN 63	0-	BLK	T/P	B1
64	PIN 64	0+	WHT		A1
65	PIN 65	1WREF1	BLK	T/P	C18
66	PIN 66	1WREF0	WHT		C9
67	PIN 67	COM 1-	BLK	T/P	B18
68	PIN 68	COM 1+	WHT		A18
69	PIN 69	COM 0-	BLK	T/P	B9
70	PIN 70	COM 0+	WHT		A9
71	PIN 71	OPEN	-	T/P	-
72	PIN 72	OPEN	-		-
73	PIN 73	OPEN	-	T/P	-
74	PIN 74	OPEN	-		-
75	PIN 75	OPEN	-	T/P	-
76	PIN 76	OPEN	-		-
77	PIN 77	OPEN	-	T/P	-
78	PIN 78	OPEN	-		-
79	PIN 79	OPEN	-	T/P	-
80	PIN 80	OPEN	-		-
81	PIN 81	OPEN	-	T/P	-
82	PIN 82	OPEN	-		-
83	PIN 83	OPEN	-	T/P	-
84	PIN 84	OPEN	-		-
85	PIN 85	OPEN	-	T/P	-
86	PIN 86	OPEN	-		-
87	PIN 87	OPEN	-	T/P	-
88	PIN 88	OPEN	-		-
89	PIN 89	OPEN	-	T/P	-
90	PIN 90	OPEN	-		-
91	PIN 91	OPEN	-	T/P	-
92	PIN 92	OPEN	-		-
93	PIN 93	OPEN	-	T/P	-
94	PIN 94	OPEN	-		-
95	PIN 95	OPEN	-	T/P	-
96	PIN 96	OPEN	-		-