

4

3

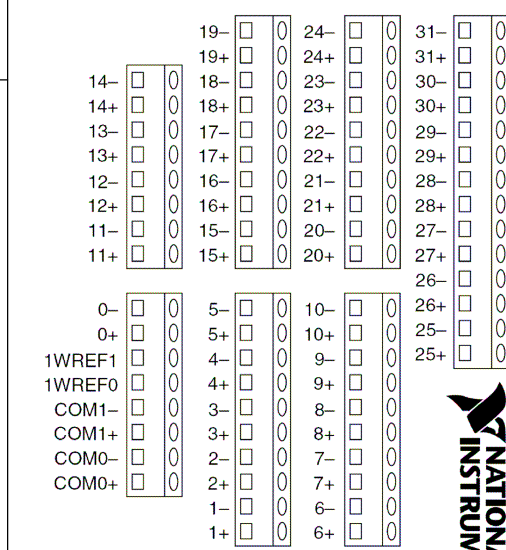
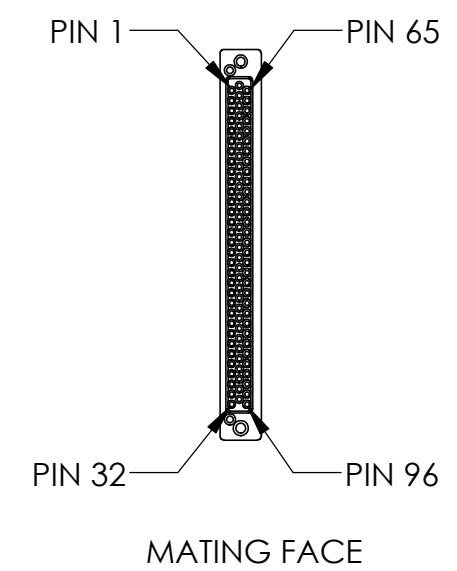
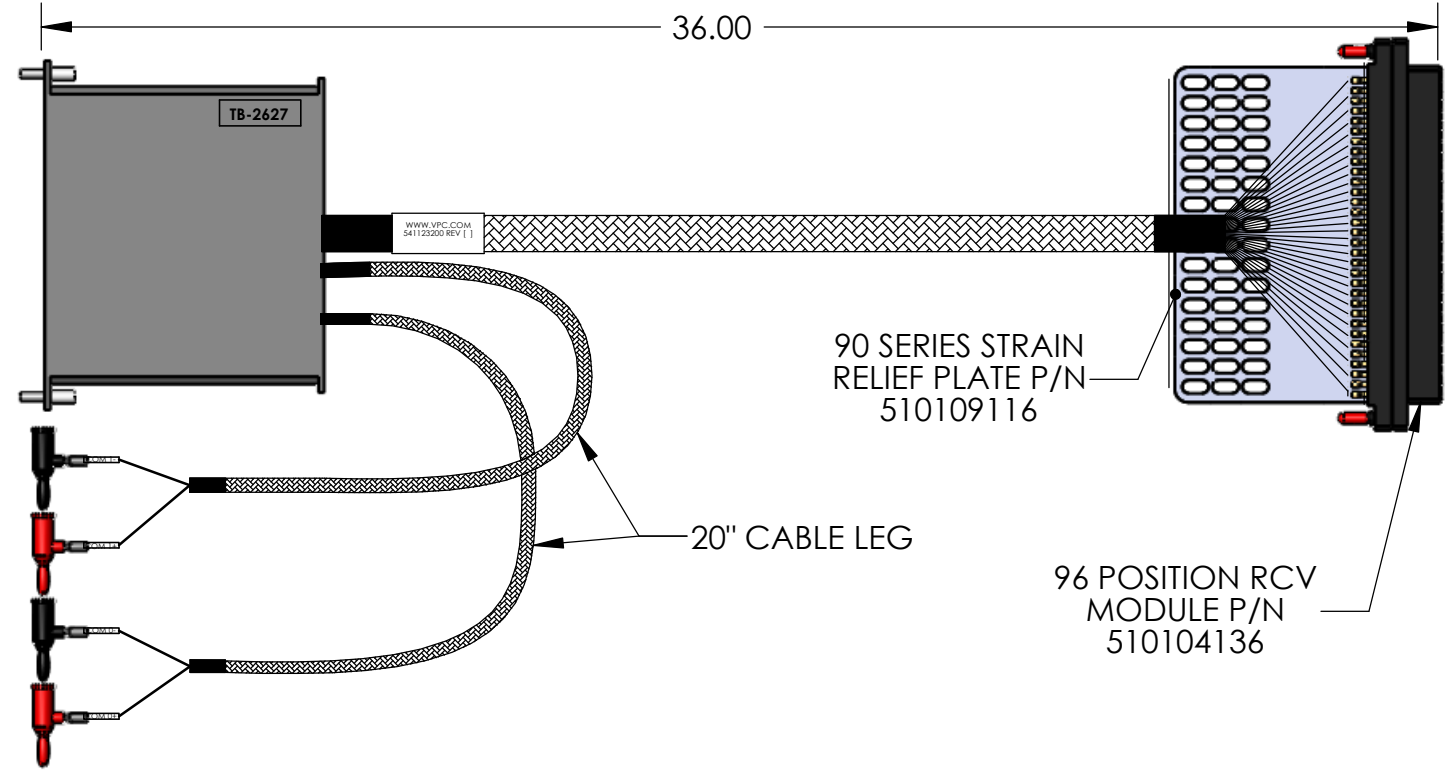
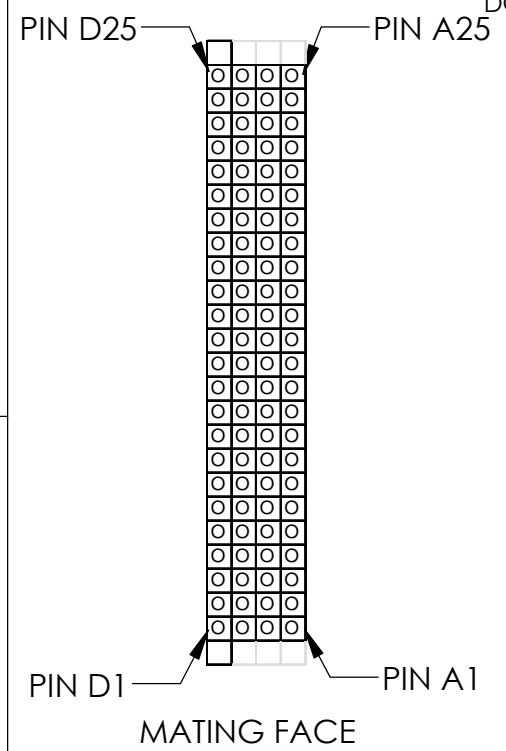
2

1

DO NOT SCALE DRAWING

THE INFORMATION CONTAINED HEREIN IS THE EXCLUSIVE PROPERTY OF VIRGINIA PANEL CORPORATION AND IS SUBMITTED FOR USE BY THE CUSTOMER ONLY. THE DATA SHALL NOT BE DUPLICATED, USED, OR DISCLOSED IN WHOLE OR IN PART FOR ANY PURPOSE OTHER THAN TO MAINTAIN THE EQUIPMENT PROVIDED. CONSULT WITH VIRGINIA PANEL CORPORATION ENGINEERING IF MORE DETAIL IS REQUIRED.

REV	DESCRIPTION	DATE	ENGINEER
C	ECN #5916	4/9/15	L LOCKRIDGE



100 POSITION CONNECTOR

VPC MODULE	NI TB-2627	NOTES	COLOR	100 PIN HDI	WIRE	VPC MODULE	NI TB-2627	NOTES	COLOR	100 PIN HDI	WIRE	VPC MODULE	NI TB-2627	NOTES	COLOR	100 PIN HDI	WIRE
510104136	31-	} T/P	BLK	C17	M16878/4BEE0	510104136	10-	} T/P	BLK	B6	M16878/4BEE0	510104136	3-	} T/P	BLK	C2	M16878/4BEE0
PIN 1	31+		WHT	D17	M16878/4BEE9	PIN 25	10+		WHT	A6	M16878/4BEE9	PIN 49	3+		WHT	D2	M16878/4BEE9
PIN 2	30-	} T/P	BLK	B17	M16878/4BEE0	PIN 26	9-	} T/P	BLK	C5	M16878/4BEE0	PIN 50	2-	} T/P	BLK	B2	M16878/4BEE0
PIN 3	30+		WHT	A17	M16878/4BEE9	PIN 27	9+		WHT	D5	M16878/4BEE9	PIN 51	2+		WHT	A2	M16878/4BEE9
PIN 4	29-	} T/P	BLK	C16	M16878/4BEE0	PIN 28	8-	} T/P	BLK	B5	M16878/4BEE0	PIN 52	1-	} T/P	BLK	C1	M16878/4BEE0
PIN 5	29+		WHT	D16	M16878/4BEE9	PIN 29	8+		WHT	A5	M16878/4BEE9	PIN 53	1+		WHT	D1	M16878/4BEE9
PIN 6	28-	} T/P	BLK	B16	M16878/4BEE0	PIN 30	7-	} T/P	BLK	C4	M16878/4BEE0	PIN 54	14-	} T/P	BLK	B8	M16878/4BEE0
PIN 7	28+		WHT	A16	M16878/4BEE9	PIN 31	7+		WHT	D4	M16878/4BEE9	PIN 55	14+		WHT	A8	M16878/4BEE9
PIN 8	27-	} T/P	BLK	C15	M16878/4BEE0	PIN 32	6-	} T/P	BLK	B4	M16878/4BEE0	PIN 56	13-	} T/P	BLK	C7	M16878/4BEE0
PIN 9	27+		WHT	D15	M16878/4BEE9	PIN 33	6+		WHT	A4	M16878/4BEE9	PIN 57	13+		WHT	D7	M16878/4BEE9
PIN 10	26-	} T/P	BLK	B15	M16878/4BEE0	PIN 34	19-	} T/P	BLK	C11	M16878/4BEE0	PIN 58	12-	} T/P	BLK	B7	M16878/4BEE0
PIN 11	26+		WHT	A15	M16878/4BEE9	PIN 35	19+		WHT	D11	M16878/4BEE9	PIN 59	12+		WHT	A7	M16878/4BEE9
PIN 12	25-	} T/P	BLK	C14	M16878/4BEE0	PIN 36	18-	} T/P	BLK	B11	M16878/4BEE0	PIN 60	11-	} T/P	BLK	C6	M16878/4BEE0
PIN 13	25+		WHT	D14	M16878/4BEE9	PIN 37	18+		WHT	A11	M16878/4BEE9	PIN 61	11+		WHT	D6	M16878/4BEE9
PIN 14	24-	} T/P	BLK	B14	M16878/4BEE0	PIN 38	17-	} T/P	BLK	C10	M16878/4BEE0	PIN 62	0-	} T/P	BLK	B1	M16878/4BEE0
PIN 15	24+		WHT	A14	M16878/4BEE9	PIN 39	17+		WHT	D10	M16878/4BEE9	PIN 63	0+		WHT	A1	M16878/4BEE9
PIN 16	23-	} T/P	BLK	C13	M16878/4BEE0	PIN 40	16-	} T/P	BLK	B10	M16878/4BEE0	PIN 64	1WREF1	} T/P	BLK	C18	M16878/4BEE0
PIN 17	23+		WHT	D13	M16878/4BEE9	PIN 41	16+		WHT	A10	M16878/4BEE9	PIN 65	1WREF0		WHT	C9	M16878/4BEE9
PIN 18	22-	} T/P	BLK	B13	M16878/4BEE0	PIN 42	15-	} T/P	BLK	C8	M16878/4BEE0	20" CBL	COM1-	} T/P	WHT	B18	M16878/4BGE9
PIN 19	22+		WHT	A13	M16878/4BEE9	PIN 43	15+		WHT	D8	M16878/4BEE9	20" CBL	COM1+		WHT	A18	M16878/4BGE9
PIN 20	21-	} T/P	BLK	C12	M16878/4BEE0	PIN 44	5-	} T/P	BLK	C3	M16878/4BEE0	20" CBL	COM0-	} T/P	WHT	B9	M16878/4BGE9
PIN 21	21+		WHT	D12	M16878/4BEE9	PIN 45	5+		WHT	D3	M16878/4BEE9	20" CBL	COM0+		WHT	A9	M16878/4BGE9
PIN 22	20-	} T/P	BLK	B12	M16878/4BEE0	PIN 46	4-	} T/P	BLK	B3	M16878/4BEE0						
PIN 23	20+		WHT	A12	M16878/4BEE9	PIN 47	4+		WHT	A3	M16878/4BEE9						
PIN 24						PIN 48											

MATING MODULE: 510108126

MATING ITA PATCHCORDS: 7-103424000-036 (33)

NOTES:

RELATIVE CONNECTOR POSITIONS AND WIRE ROUTING ARE GENERIC AND MAY VARY WITH PINOUT

DIMENSIONS ARE SHOWN AS:

[MILLIMETERS]
INCHES

CUSTOMER DRAWING

CBA, RCV, 36", TP to 4 x Ban J, 1 x HDI
PXI2527 W/ TB 2627

DWG.NO. **541123200** REV **C**

SIZE	SCALE	CAGE CODE	SHEET
B	NONE	18117	1 OF 1

4

3

2

1